



TwinDie™ 1.2V DDR4 SDRAM

MT40A4G4 – 128 Meg x 4 x 16 Banks x 2 Ranks

MT40A2G8 – 64 Meg x 8 x 16 Banks x 2 Ranks

Description

The 16Gb (TwinDie™) DDR4 SDRAM uses Micron’s 8Gb DDR4 SDRAM die (essentially two ranks of the 8Gb DDR4 SDRAM). Refer to Micron’s 8Gb DDR4 SDRAM data sheet for the specifications not included in this document. Specifications for base part number MT40A2G4 correlate to TwinDie manufacturing part number MT40A4G4; specifications for base part number MT40A1G8 correlate to TwinDie manufacturing part number MT40A2G8.

Features

- Uses 8Gb Micron die
- Two ranks (includes dual CS#, ODT, and CKE balls)
- Each rank has 4 groups of 4 internal banks for concurrent operation
- $V_{DD} = V_{DDQ} = 1.2V$ (1.14–1.26V)
- 1.2V V_{DDQ} -terminated I/O
- JEDEC-standard ball-out
- Low-profile package
- T_C of 0°C to 95°C
 - 0°C to 85°C: 8192 refresh cycles in 64ms
 - 85°C to 95°C: 8192 refresh cycles in 32ms

Options

- Configuration
 - 128 Meg x 4 x 16 banks x 2 ranks 4G4
 - 64 Meg x 8 x 16 banks x 2 ranks 2G8
- FBGA package (Pb-free)
 - 78-ball FBGA (9.5mm x 13mm x 1.2mm) Die Rev :A FSE
 - 78-ball FBGA (8.0mm x 12mm x 1.2mm) Die Rev :B, :D NRE
 - 78-ball FBGA (7.5mm x 11mm x 1.2mm) Die Rev :J NEA
- Timing – cycle time¹
 - 0.625ns @ CL = 22 (DDR4-3200) -062E
 - 0.682ns @ CL = 21 (DDR4-2933) -068
 - 0.750ns @ CL = 18 (DDR4-2666) -075E
 - 0.833ns @ CL = 16 (DDR4-2400) -083E
 - 0.833ns @ CL = 17 (DDR4-2400) -083
 - 0.937ns @ CL = 15 (DDR4-2133) -093E
 - 0.937ns @ CL = 16 (DDR4-2133) -093
- Self refresh
 - Standard None
- Operating temperature
 - Commercial (0°C ≤ T_C ≤ 95°C) None
- Revision :A, :B, :D, :J

Note: 1. CL = CAS (READ) latency.

Table 1: Key Timing Parameters

Speed Grade ¹	Data Rate (MT/s)	Target CL-nRCD-nRP	t _{AA} (ns)	t _{RCD} (ns)	t _{RP} (ns)
-062E	3200	22-22-22	13.75	13.75	13.75
-068	2933	21-21-21	14.32 (13.75)	14.32 (13.75)	14.32 (13.75)
-075E	2666	18-18-18	13.50	13.50	13.50
-075	2666	19-19-19	14.25 (13.75)	14.25 (13.75)	14.25 (13.75)
-083E	2400	16-16-16	13.32	13.32	13.32
-083	2400	17-17-17	14.16 (13.75)	14.16 (13.75)	14.16 (13.75)
-093E	2133	15-15-15	14.06 (13.50)	14.06 (13.50)	14.06 (13.50)
-093	2133	16-16-16	15.00	15.00	15.00

Note: 1. Refer to the Speed Bin Tables for additional details.



Table 2: Addressing

Parameter	4096 Meg x 4	2048 Meg x 8
Configuration	128 Meg x 4 x 16 banks x 2 ranks	64 Meg x 8 x 16 banks x 2 ranks
Bank group address	BG[1:0]	BG[1:0]
Bank count per group	4	4
Bank address in bank group	BA[1:0]	BA[1:0]
Row address	128K A[16:0]	64K A[15:0]
Column address	1K A[9:0]	1K A[9:0]

Important Notes and Warnings

Micron Technology, Inc. ("Micron") reserves the right to make changes to information published in this document, including without limitation specifications and product descriptions. This document supersedes and replaces all information supplied prior to the publication hereof. You may not rely on any information set forth in this document if you obtain the product described herein from any unauthorized distributor or other source not authorized by Micron.

Automotive Applications. Products are not designed or intended for use in automotive applications unless specifically designated by Micron as automotive-grade by their respective data sheets. Distributor and customer/distributor shall assume the sole risk and liability for and shall indemnify and hold Micron harmless against all claims, costs, damages, and expenses and reasonable attorneys' fees arising out of, directly or indirectly, any claim of product liability, personal injury, death, or property damage resulting directly or indirectly from any use of non-automotive-grade products in automotive applications. Customer/distributor shall ensure that the terms and conditions of sale between customer/distributor and any customer of distributor/customer (1) state that Micron products are not designed or intended for use in automotive applications unless specifically designated by Micron as automotive-grade by their respective data sheets and (2) require such customer of distributor/customer to indemnify and hold Micron harmless against all claims, costs, damages, and expenses and reasonable attorneys' fees arising out of, directly or indirectly, any claim of product liability, personal injury, death, or property damage resulting from any use of non-automotive-grade products in automotive applications.

Critical Applications. Products are not authorized for use in applications in which failure of the Micron component could result, directly or indirectly in death, personal injury, or severe property or environmental damage ("Critical Applications"). Customer must protect against death, personal injury, and severe property and environmental damage by incorporating safety design measures into customer's applications to ensure that failure of the Micron component will not result in such harms. Should customer or distributor purchase, use, or sell any Micron component for any critical application, customer and distributor shall indemnify and hold harmless Micron and its subsidiaries, subcontractors, and affiliates and the directors, officers, and employees of each against all claims, costs, damages, and expenses and reasonable attorneys' fees arising out of, directly or indirectly, any claim of product liability, personal injury, or death arising in any way out of such critical application, whether or not Micron or its subsidiaries, subcontractors, or affiliates were negligent in the design, manufacture, or warning of the Micron product.

Customer Responsibility. Customers are responsible for the design, manufacture, and operation of their systems, applications, and products using Micron products. ALL SEMICONDUCTOR PRODUCTS HAVE INHERENT FAILURE RATES AND LIMITED USEFUL LIVES. IT IS THE CUSTOMER'S SOLE RESPONSIBILITY TO DETERMINE WHETHER THE MICRON PRODUCT IS SUITABLE AND FIT FOR THE CUSTOMER'S SYSTEM, APPLICATION, OR PRODUCT. Customers must ensure that adequate design, manufacturing, and operating safeguards are included in customer's applications and products to eliminate the risk that personal injury, death, or severe property or environmental damages will result from failure of any semiconductor component.

Limited Warranty. In no event shall Micron be liable for any indirect, incidental, punitive, special or consequential damages (including without limitation lost profits, lost savings, business interruption, costs related to the removal or replacement of any products or rework charges) whether or not such damages are based on tort, warranty, breach of contract or other legal theory, unless explicitly stated in a written agreement executed by Micron's duly authorized representative.

Functional Description

The TwinDie DDR4 SDRAM is a high-speed, CMOS dynamic random access memory device internally configured as two 16-bank DDR4 SDRAM devices.

Although each die is tested individually within the dual-die package, some TwinDie test results may vary from a like-die tested within a monolithic die package.

The DDR4 SDRAM uses a double data rate architecture to achieve high-speed operation. The double data rate architecture is an $8n$ -prefetch architecture with an interface designed to transfer two data words per clock cycle at the I/O balls. A single read or write access consists of a single $8n$ -bit-wide, one-clock-cycle data transfer at the internal DRAM core and eight corresponding n -bit-wide, one-half-clock-cycle data transfers at the I/O balls.

The differential data strobe (DQS, DQS#) is transmitted externally, along with data, for use in data capture at the DDR4 SDRAM input receiver. DQS is center-aligned with data for WRITES. The read data is transmitted by the DDR4 SDRAM and edge-aligned to the data strobes.

Read and write accesses to the DDR4 SDRAM are burst-oriented. Accesses start at a selected location and continue for a programmed number of locations in a programmed sequence. Operation begins with the registration of an ACTIVATE command, which is then followed by a READ or WRITE command. The address bits registered coincident with the ACTIVATE command are used to select the bank and row to be accessed. The address bits (including $CSn\#$, BAn , and An) registered coincident with the READ or WRITE command are used to select the rank, bank, and starting column location for the burst access.

This data sheet provides a general description, package dimensions, and the package ballout. Refer to the Micron monolithic DDR4 data sheet for complete information regarding individual die initialization, register definition, command descriptions, and die operation.

Industrial Temperature

The industrial temperature (IT) option, if offered, requires that the case temperature not exceed -40°C or 95°C . JEDEC specifications require the refresh rate to double when T_C exceeds 85°C ; this also requires use of the high-temperature self refresh option. Additionally, ODT resistance, I_{DD} values, some I_{DD} specifications and the input/output impedance must be derated when T_C is $< 0^{\circ}\text{C}$ or $> 95^{\circ}\text{C}$. See the DDR4 monolithic data sheet for details.

Functional Block Diagrams

Figure 1: Functional Block Diagram (128 Meg x 4 x 16 Banks x 2 Ranks)

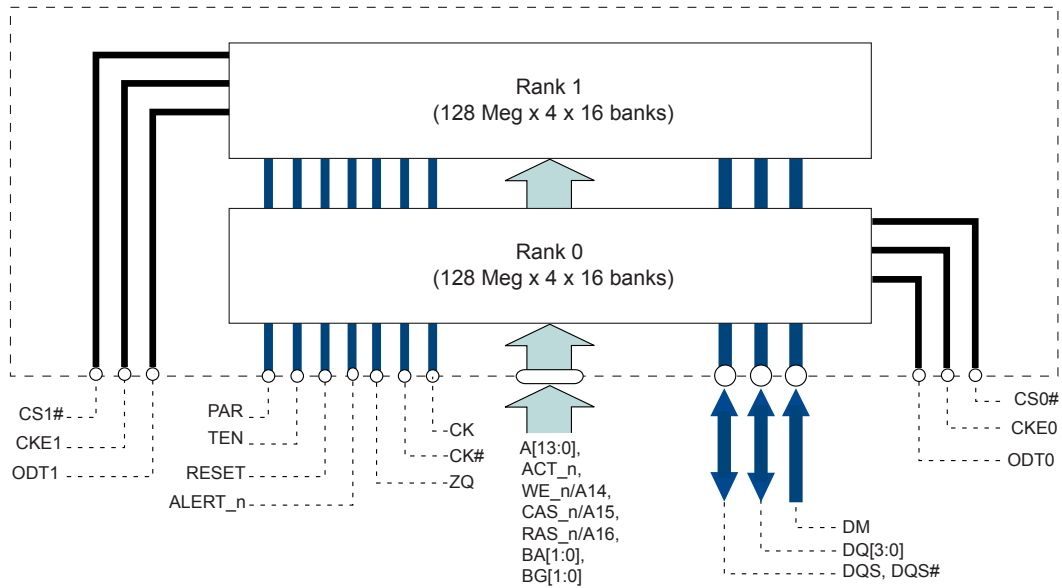
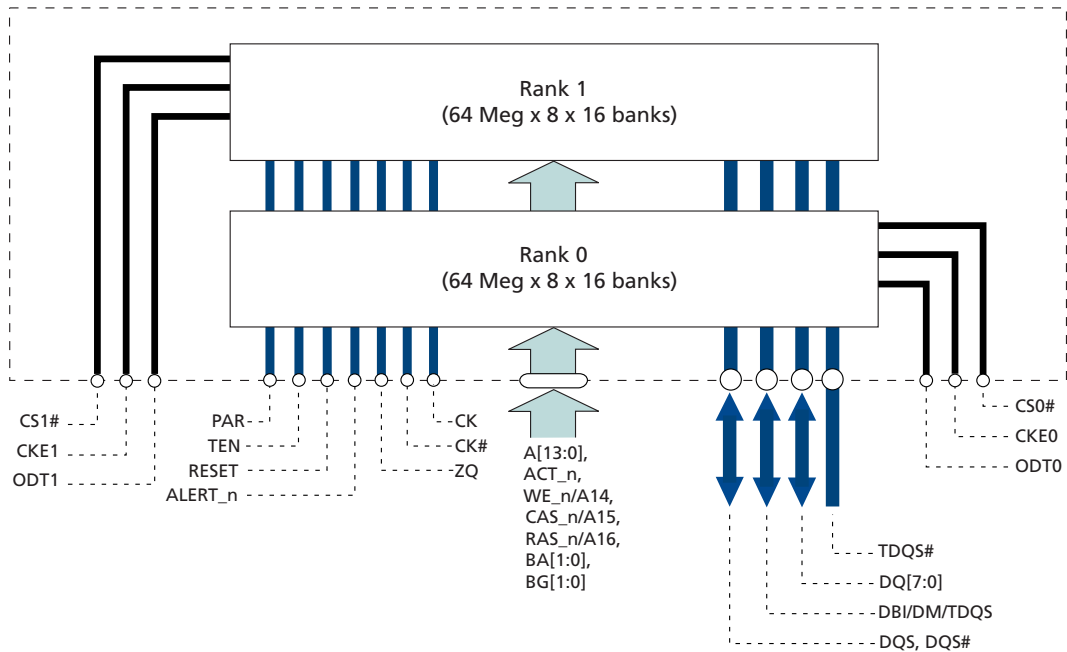


Figure 2: Functional Block Diagram (64 Meg x 8 x 16 Banks x 2 Ranks)



Electrical Specifications – Leakages

Table 3: Input and Output Leakages

Symbol	Parameter	Min	Max	Units	Notes
I_{IN}	Input leakage current Any input $0V \leq V_{IN} \leq V_{DD}$, V_{REF} pin $0V \leq V_{IN} \leq 1.1V$ (All other pins not under test = 0V)	-4	4	μA	1
I_{VREFCA}	V_{REF} supply leakage current (All other pins not under test = 0V)	-4	4	μA	2
I_{ZQ}	Input leakage on ZQ pin	-100	20	μA	
I_{TEN}	Input leakage on TEN pin	-12	20	μA	
I_{OZpd}	Output leakage: $V_{OUT} = V_{DDQ}$	-	20	μA	3
I_{OZpu}	Output leakage: $V_{OUT} = V_{SSQ}$	-100	-	μA	3, 4

- Notes:
1. Any input $0V < V_{IN} < 1.1V$
 2. $V_{REFCA} = V_{DD}/2$, V_{DD} at valid level.
 3. DQ are disabled.
 4. ODT is disabled with the ODT input HIGH.

Temperature and Thermal Impedance

It is imperative that the DDR4 SDRAM device's temperature specifications, shown in the following table, be maintained in order to ensure the junction temperature is in the proper operating range to meet data sheet specifications. An important step in maintaining the proper junction temperature is using the device's thermal impedances correctly. The thermal impedances listed in Table 5 (page 7) apply to the current die revision and packages.

Incorrectly using thermal impedances can produce significant errors. Read Micron technical note TN-00-08, "Thermal Applications," prior to using the values listed in the thermal impedance table. For designs that are expected to last several years and require the flexibility to use several DRAM die shrinks, consider using final target theta values (rather than existing values) to account for increased thermal impedances from the die size reduction.

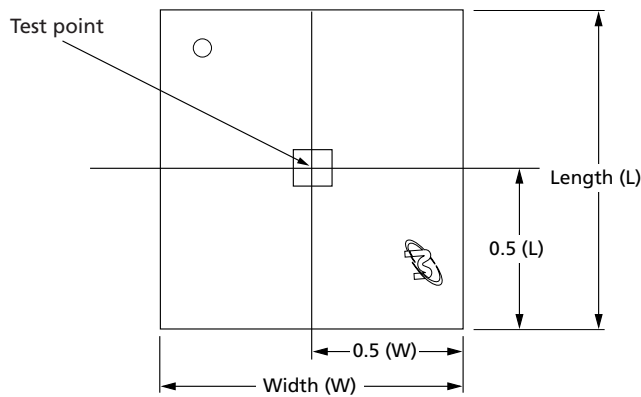
The DDR4 SDRAM device's safe junction temperature range can be maintained when the T_C specification is not exceeded. In applications where the device's ambient temperature is too high, use of forced air and/or heat sinks may be required to satisfy the case temperature specifications.

Table 4: Thermal Characteristics

Notes 1–3 apply to entire table

Parameter	Symbol	Value	Units	Notes
Operating temperature	T_C	0 to 85	°C	
		0 to 95	°C	4

- Notes:
1. MAX operating case temperature T_C is measured in the center of the package, as shown below.
 2. A thermal solution must be designed to ensure that the device does not exceed the maximum T_C during operation.
 3. Device functionality is not guaranteed if the device exceeds maximum T_C during operation.
 4. If T_C exceeds 85°C, the DRAM must be refreshed externally at 2x refresh, which is a 3.9µs interval refresh rate. The use of self refresh temperature (SRT) or automatic self refresh (ASR), if available, must be enabled.

Figure 3: Temperature Test Point Location

Table 5: Thermal Impedance

Package		Substrate	Θ_{JA} (°C/W) Airflow = 0m/s	Θ_{JA} (°C/W) Airflow = 1m/s	Θ_{JA} (°C/W) Airflow = 2m/s	Θ_{JB} (°C/W)	Θ_{JC} (°C/W)	Notes
78-ball	Rev A "FSE"	Low conductivity	47.9	36.2	32.0	NA	1.6	1
		High conductivity	28.3	23.0	21.3	10.6	NA	
78-ball	Rev B "NRE"	Low conductivity	47.7	36.3	32.3	NA	3.3	1
		High conductivity	30.0	24.4	19.7	12.5	NA	

Table 5: Thermal Impedance (Continued)

Package		Substrate	Θ_{JA} (°C/W) Airflow = 0m/s	Θ_{JA} (°C/W) Airflow = 1m/s	Θ_{JA} (°C/W) Airflow = 2m/s	Θ_{JB} (°C/W)	Θ_{JC} (°C/W)	Notes
78-ball	Rev D "NRE"	Low conductivity	50.5	38.5	34.0	NA	3.9	1
		High conductivity	32.0	25.9	24.0	13.1	NA	
78-ball	Rev J "NEA"	Low conductivity	51.3	38.5	34.4	NA	3.2	1
		High conductivity	31.8	26	24.3	12.2	NA	

Note: 1. Thermal resistance data is based on a typical number.

Electrical Characteristics – AC and DC Output Measurement Levels

Single-Ended Outputs

Table 6: Single-Ended Output Levels

Parameter	Symbol	DDR4-1600 to DDR4-3200	Unit
DC output high measurement level (for IV curve linearity)	$V_{OH(DC)}$	$1.1 \times V_{DDQ}$	V
DC output mid measurement level (for IV curve linearity)	$V_{OM(DC)}$	$0.8 \times V_{DDQ}$	V
DC output low measurement level (for IV curve linearity)	$V_{OL(DC)}$	$0.5 \times V_{DDQ}$	V
AC output high measurement level (for output slew rate)	$V_{OH(AC)}$	$(0.7 + 0.15) \times V_{DDQ}$	V
AC output low measurement level (for output slew rate)	$V_{OL(AC)}$	$(0.7 - 0.15) \times V_{DDQ}$	V

Note: 1. The swing of $\pm 0.15 \times V_{DDQ}$ is based on approximately 50% of the static single-ended output peak-to-peak swing with a driver impedance of $RZQ/7$ and an effective test load of 50Ω to $V_{TT} = V_{DDQ}$.

Using the same reference load used for timing measurements, output slew rate for falling and rising edges is defined and measured between $V_{OL(AC)}$ and $V_{OH(AC)}$ for single-ended signals.

Table 7: Single-Ended Output Slew Rate Definition

Description	Measured		Defined by
	From	To	
Single-ended output slew rate for rising edge	$V_{OL(AC)}$	$V_{OH(AC)}$	$[V_{OH(AC)} - V_{OL(AC)}] / \Delta TR_{se}$
Single-ended output slew rate for falling edge	$V_{OH(AC)}$	$V_{OL(AC)}$	$[V_{OH(AC)} - V_{OL(AC)}] / \Delta TF_{se}$

Figure 4: Single-ended Output Slew Rate Definition

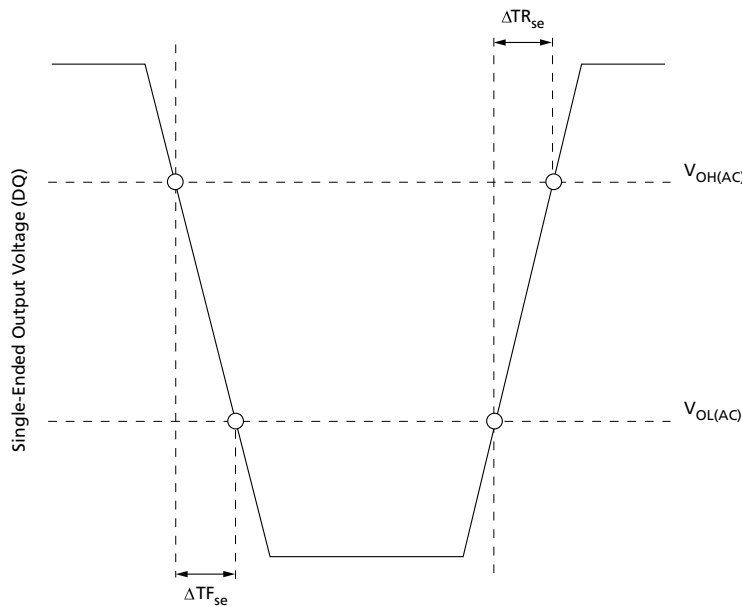


Table 8: Single-Ended Output Slew Rate

For $R_{ON} = R_{ZQ}/7$

Parameter	Symbol	DDR4-1333 / 1866 / 2133 / 2400 / 2666		Unit
		Min	Max	
Single-ended output slew rate	$SR_{Q_{se}}$	2	7	V/ns

- Notes:
1. SR = slew rate; Q = query output; se = single-ended signals
 2. In two cases a maximum slew rate of 12V/ns applies for a single DQ signal within a byte lane:
 - Case 1 is defined for a single DQ signal within a byte lane that is switching into a certain direction (either from HIGH-to-LOW or LOW-to-HIGH) while all remaining DQ signals in the same byte lane are static (they stay at either HIGH or LOW).
 - Case 2 is defined for a single DQ signal within a byte lane that is switching into a certain direction (either from HIGH-to-LOW or LOW-to-HIGH) while all remaining DQ signals in the same byte lane are switching into the opposite direction (from LOW-to-HIGH or HIGH-to-LOW, respectively). For the remaining DQ signal switching into the opposite direction, the standard maximum limit of 7 V/ns applies.

Differential Outputs

Table 9: Differential Output Levels

Parameter	Symbol	DDR4-1600 to DDR4-3200	Unit
AC differential output high measurement level (for output slew rate)	$V_{OH,diff(AC)}$	$0.3 \times V_{DDQ}$	V
AC differential output low measurement level (for output slew rate)	$V_{OL,diff(AC)}$	$-0.3 \times V_{DDQ}$	V

- Note:
1. The swing of $\pm 0.3 \times V_{DDQ}$ is based on approximately 50% of the static single-ended output peak-to-peak swing with a driver impedance of $R_{ZQ}/7$ and an effective test load of 50Ω to $V_{TT} = V_{DDQ}$ at each differential output.

Using the same reference load used for timing measurements, output slew rate for falling and rising edges is defined and measured between $V_{OL,diff(AC)}$ and $V_{OH,diff(AC)}$ for differential signals.

Table 10: Differential Output Slew Rate Definition

Description	Measured		Defined by
	From	To	
Differential output slew rate for rising edge	$V_{OL,diff(AC)}$	$V_{OH,diff(AC)}$	$[V_{OH,diff(AC)} - V_{OL,diff(AC)}]/\Delta TR_{diff}$
Differential output slew rate for falling edge	$V_{OH,diff(AC)}$	$V_{OL,diff(AC)}$	$[V_{OH,diff(AC)} - V_{OL,diff(AC)}]/\Delta TF_{diff}$

Figure 5: Differential Output Slew Rate Definition

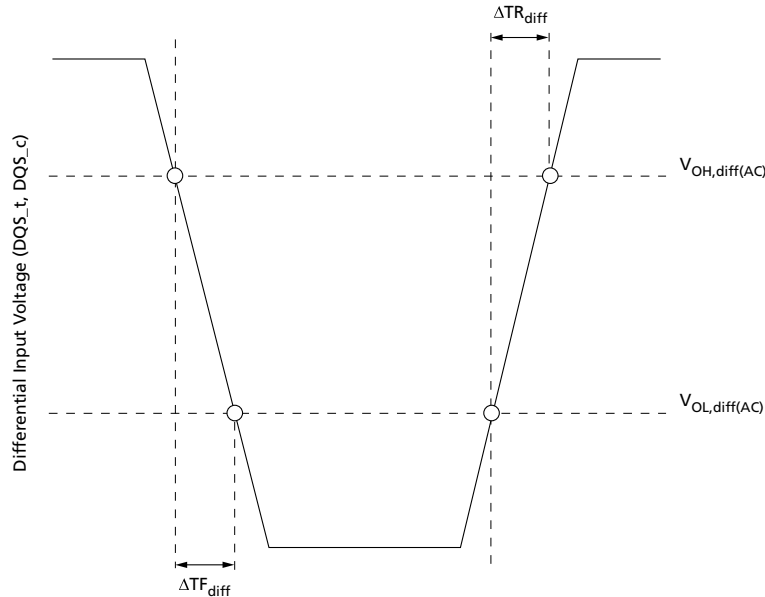


Table 11: Differential Output Slew Rate

For $R_{ON} = R_{ZQ}/7$

Parameter	Symbol	DDR4-1333 / 1866 / 2133 / 2400 / 2666		Unit
		Min	Max	
Differential output slew rate	SRQ_{diff}	4	14	V/ns

Note: 1. SR = slew rate; Q = query output; diff = differential signals.

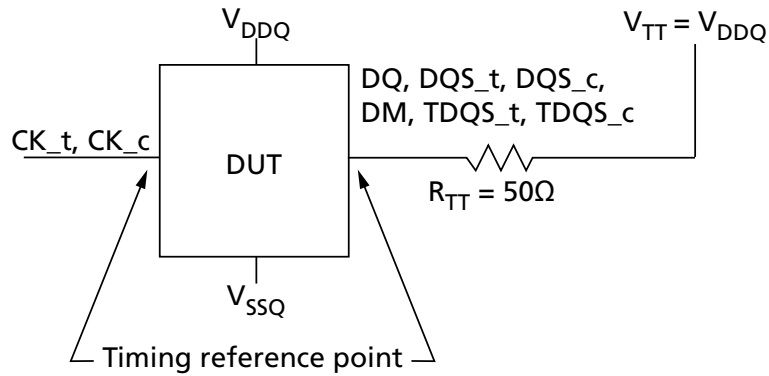
Reference Load for AC Timing and Output Slew Rate

The effective reference load of 50Ω to $V_{TT} = V_{DDQ}$ and driver impedance of $R_{ZQ}/7$ for each output was used in defining the relevant AC timing parameter values of the device as well as output slew rate measurements.

R_{ON} nominal of DQ, DQS_t and DQS_c drivers uses 34 ohms to specify the relevant AC timing parameter values of the device. The maximum DC high level of output signal = $1.0 \times V_{DDQ}$, the minimum DC low level of output signal = $\{ 34 / (34 + 50) \} \times V_{DDQ} = 0.4 \times V_{DDQ}$

The nominal reference level of an output signal can be approximated by the following: The center of maximum DC high and minimum DC low = $\{ (1 + 0.4) / 2 \} \times V_{DDQ} = 0.7 \times V_{DDQ}$. The actual reference level of output signal might vary with driver R_{ON} and reference load tolerances. Thus, the actual reference level or midpoint of an output signal is at the widest part of the output signal's eye.

Figure 6: Reference Load For AC Timing and Output Slew Rate





Electrical Specifications – I_{CDD} Parameters

Table 12: DDR4 I_{CDD} Specifications and Conditions - Rev. A (0° ≤ T_C ≤ 85°C)

Note 1 applies to the entire table

Combined Symbol	Individual Die Status	Bus Width	DDR4-2133	DDR4-2400	DDR4-2666	Units
I _{CDD0}	I _{CDD0} = I _{DD0} + I _{DD2P} + 3	x4, x8	83	93	103	mA
I _{CPP0}	I _{CPP0} = I _{PP0} + I _{PP3N}	x4, x8	6	6	6	mA
I _{CDD1}	I _{CDD1} = I _{DD1} + I _{DD2P} + 3	x4, x8	98	108	118	mA
I _{CDD2N}	I _{CDD2N} = I _{DD2N} + I _{DD2P}	x4, x8	70	80	90	mA
I _{CDD2NT}	I _{CDD2NT} = I _{DD2NT} + I _{DD2P}	x4, x8	80	90	100	mA
I _{CDD2P}	I _{CDD2P} = I _{DD2P} + I _{DD2P}	x4, x8	50	60	70	mA
I _{CDD2Q}	I _{CDD2Q} = I _{DD2Q} + I _{DD2P}	x4, x8	70	75	85	mA
I _{CDD3N}	I _{CDD3N} = I _{DD3N} + I _{DD2P}	x4, x8	80	85	95	mA
I _{CPP3N}	I _{CPP3N} = I _{PP3N} + I _{PP3N}	x4, x8	6	6	6	mA
I _{CDD3P}	I _{CDD3P} = I _{DD3P} + I _{DD2P}	x4, x8	60	70	75	mA
I _{CDD4R}	I _{CDD4R} = I _{DD4R} + I _{DD2P} + 3	x4	163	178	198	mA
		x8	178	183	213	
I _{CDD4W}	I _{CDD4W} = I _{DD4W} + I _{DD2P} + 3	x4	163	178	198	mA
		x8	178	193	213	
I _{CDD5R}	I _{CDD5R} = I _{DD5R} + I _{DD2P}	x4, x8	89	94	103	mA
I _{CPP5R}	I _{CPP5R} = I _{PP5R} + I _{PP3N}	x4, x8	8	8	8	mA
I _{CDD6N}	I _{CDD6N} = I _{DD6N} + I _{DD6N}	x4, x8	60	60	60	mA
I _{CDD6E}	I _{CDD6E} = I _{DD6E} + I _{DD6E}	x4, x8	70	70	70	mA
I _{CDD6R} ²	I _{CDD6R} = I _{DD6R} + I _{DD6R}	x4, x8	50	50	50	mA
I _{CDD6A} (25°C) ²	I _{CDD6A} = I _{DD6A} + I _{DD6A}	x4, x8	40	40	40	mA
I _{CDD6A} (45°C) ²	I _{CDD6A} = I _{DD6A} + I _{DD6A}	x4, x8	50	50	50	mA
I _{CDD6A} (75°C) ²	I _{CDD6A} = I _{DD6A} + I _{DD6A}	x4, x8	70	70	70	mA



Table 12: DDR4 I_{CDD} Specifications and Conditions - Rev. A (0° ≤ T_C ≤ 85°C) (Continued)

Note 1 applies to the entire table

Combined Symbol	Individual Die Status	Bus Width	DDR4-2133	DDR4-2400	DDR4-2666	Units
I _{CDD7}	I _{CDD7} = I _{DD7} + I _{DD2P} + 3	x4	278	288	303	mA
		x8	228	238	253	
I _{CPP7}	I _{CPP7} = I _{PP7} + I _{PP3N}	x4	28	28	28	mA
		x8	18	18	18	
I _{CDD8}	I _{CDD8} = I _{DD8} + I _{DD8}	x4, x8	40	40	40	mA

- Notes:
1. I_{CDD} values reflect the combined current of both individual die. I_{DDx} represents individual die values.
 2. I_{CDD}, I_{CDD6A}, and I_{CDD6E} values are verified by design and characterization, and may not be subject to production test.
 3. I_{CDD} values must be derated (increased) when operated outside of the range 0°C ≤ T_C ≤ 85°C. They must also be derated when using features such as CAL, CA Parity, Read/Write DBI, AL, Gear-down, Write CRC, 2X/4X REF, and DLL disabled. Refer to the 8Gb monolithic data sheet for all derating values. Derating values apply to each individual I_{DDx} that make up the combined I_{CDD}



Table 13: DDR4 I_{CDD} Specifications and Conditions - Rev. B (0° ≤ T_C ≤ 85°C)

Note 1 applies to the entire table

Combined Symbol	Individual Die Status	Bus Width	DDR4-2133	DDR4-2400	DDR4-2666	Units
I _{CDD0}	I _{CDD0} = I _{DD0} + I _{DD2P} + 3	x4	68	71	74	mA
		x8	73	76	79	
I _{CPP0}	I _{CPP0} = I _{PP0} + I _{PP3N}	x4, x8	6	6	6	mA
I _{CDD1}	I _{CDD1} = I _{DD1} + I _{DD2P} + 3	x4	80	83	86	mA
		x8	85	88	91	
I _{CDD2N}	I _{CDD2N} = I _{DD2N} + I _{DD2P}	x4, x8	58	59	60	mA
I _{CDD2NT}	I _{CDD2NT} = I _{DD2NT} + I _{DD2P}	x4, x8	70	75	75	mA
I _{CDD2P}	I _{CDD2P} = I _{DD2P} + I _{DD2P}	x4, x8	50	50	50	mA
I _{CDD2Q}	I _{CDD2Q} = I _{DD2Q} + I _{DD2P}	x4, x8	55	55	55	mA
I _{CDD3N}	I _{CDD3N} = I _{DD3N} + I _{DD2P}	x4	60	63	66	mA
		x8	65	68	71	
I _{CPP3N}	I _{CPP3N} = I _{PP3N} + I _{PP3N}	x4, x8	6	6	6	mA
I _{CDD3P}	I _{CDD3P} = I _{DD3P} + I _{DD2P}	x4	55	57	59	mA
		x8	60	62	64	
I _{CDD4R}	I _{CDD4R} = I _{DD4R} + I _{DD2P} + 3	x4	138	138	149	mA
		x8	153	163	174	
I _{CDD4W}	I _{CDD4W} = I _{DD4W} + I _{DD2P} + 3	x4	123	131	140	mA
		x8	143	151	160	
I _{CDD5R}	I _{CDD5R} = I _{DD5R} + I _{DD2P}	x4, x8	75	78	81	mA
I _{CPP5R}	I _{CPP5R} = I _{PP5R} + I _{PP3N}	x4, x8	8	8	8	mA
I _{CDD6N}	I _{CDD6N} = I _{DD6N} + I _{DD6N}	x4, x8	60	60	60	mA
I _{CDD6E}	I _{CDD6E} = I _{DD6E} + I _{DD6E}	x4, x8	70	70	70	mA
I _{CDD6R} ²	I _{CDD6R} = I _{DD6R} + I _{DD6R}	x4, x8	40	40	40	mA
I _{CDD6A} (25°C) ²	I _{CDD6A} = I _{DD6A} + I _{DD6A}	x4, x8	17.2	17.2	17.2	mA
I _{CDD6A} (45°C) ²	I _{CDD6A} = I _{DD6A} + I _{DD6A}	x4, x8	40	40	40	mA



Table 13: DDR4 I_{CDD} Specifications and Conditions - Rev. B (0° ≤ T_C ≤ 85°C) (Continued)

Note 1 applies to the entire table

Combined Symbol	Individual Die Status	Bus Width	DDR4-2133	DDR4-2400	DDR4-2666	Units
I _{CDD6A} (75°C) ²	I _{CDD6A} = I _{DD6A} + I _{DD6A}	x4, x8	60	60	60	mA
I _{CDD7}	I _{CDD7} = I _{DD7} + I _{DD2P} + 3	x4	203	213	228	mA
		x8	198	203	208	
I _{CPP7}	I _{CPP7} = I _{PP7} + I _{PP3N}	x4	19	20	21	mA
		x8	18	18	18	
I _{CDD8}	I _{CDD8} = I _{DD8} + I _{DD8}	x4, x8	50	50	50	mA

- Notes:
1. I_{CDD} values reflect the combined current of both individual die. I_{DDx} represents individual die values.
 2. I_{CDD6R}, I_{CDD6A}, and I_{CDD6E} values are verified by design and characterization, and may not be subject to production test.
 3. I_{CDD} values must be derated (increased) when operated outside of the range 0°C ≤ T_C ≤ 85°C. They must also be derated when using features such as CAL, CA Parity, Read/Write DBI, AL, Gear-down, Write CRC, 2X/4X REF, and DLL disabled. Refer to the 8Gb monolithic data sheet for all derating values. Derating values apply to each individual I_{DDx} that make up the combined I_{CDD}



16Gb: x4, x8 TwinDie DDR4 SDRAM Electrical Specifications – I_{CDD} Parameters

Table 14: DDR4 I_{CDD} Specifications and Conditions - Rev. D (0° ≤ T_C ≤ 85°C)

Note 1 applies to the entire table

Combined Symbol	Individual Die Status	Bus Width	DDR4-2133	DDR4-2400	DDR4-2666	Units
I _{CDD0}	I _{CDD0} = I _{DD0} + I _{DD2P} + 3	x4	68	71	74	mA
		x8	73	76	79	
I _{CPP0}	I _{CPP0} = I _{PP0} + I _{PP3N}	x4, x8	6	6	6	mA
I _{CDD1}	I _{CDD1} = I _{DD1} + I _{DD2P} + 3	x4	80	83	86	mA
		x8	85	88	91	
I _{CDD2N}	I _{CDD2N} = I _{DD2N} + I _{DD2P}	x4, x8	58	59	60	mA
I _{CDD2NT}	I _{CDD2NT} = I _{DD2NT} + I _{DD2P}	x4, x8	70	75	75	mA
I _{CDD2P}	I _{CDD2P} = I _{DD2P} + I _{DD2P}	x4, x8	50	50	50	mA
I _{CDD2Q}	I _{CDD2Q} = I _{DD2Q} + I _{DD2P}	x4, x8	55	55	55	mA
I _{CDD3N}	I _{CDD3N} = I _{DD3N} + I _{DD2P}	x4	65	68	71	mA
		x8	70	73	76	
I _{CPP3N}	I _{CPP3N} = I _{PP3N} + I _{PP3N}	x4, x8	6	6	6	mA
I _{CDD3P}	I _{CDD3P} = I _{DD3P} + I _{DD2P}	x4	55	57	59	mA
		x8	60	62	64	
I _{CDD4R}	I _{CDD4R} = I _{DD4R} + I _{DD2P} + 3	x4	128	138	149	mA
		x8	153	163	174	
I _{CDD4W}	I _{CDD4W} = I _{DD4W} + I _{DD2P} + 3	x4	133	141	150	mA
		x8	153	160	170	
I _{CDD5R}	I _{CDD5R} = I _{DD5R} + I _{DD2P}	x4, x8	81	83	86	mA
I _{CPP5R}	I _{CPP5R} = I _{PP5R} + I _{PP3N}	x4, x8	8	8	8	mA
I _{CDD6N}	I _{CDD6N} = I _{DD6N} + I _{DD6N}	x4, x8	62	62	62	mA
I _{CDD6E}	I _{CDD6E} = I _{DD6E} + I _{DD6E}	x4, x8	72	72	72	mA
I _{CDD6R} ²	I _{CDD6R} = I _{DD6R} + I _{DD6R}	x4, x8	42	42	42	mA
I _{CDD6A} (25°C) ²	I _{CDD6A} = I _{DD6A} + I _{DD6A}	x4, x8	17.2	17.2	17.2	mA
I _{CDD6A} (45°C) ²	I _{CDD6A} = I _{DD6A} + I _{DD6A}	x4, x8	42	42	42	mA



Table 14: DDR4 I_{CDD} Specifications and Conditions - Rev. D (0° ≤ T_C ≤ 85°C) (Continued)

Note 1 applies to the entire table

Combined Symbol	Individual Die Status	Bus Width	DDR4-2133	DDR4-2400	DDR4-2666	Units
I _{CDD6A} (75°C) ²	I _{CDD6A} = I _{DD6A} + I _{DD6A}	x4, x8	62	62	62	mA
I _{CDD6A} (95°C) ²	I _{CDD6A} = I _{DD6A} + I _{DD6A}	x4, x8	72	72	72	mA
I _{CDD7}	I _{CDD7} = I _{DD7} + I _{DD2P} + 3	x4	203	213	228	mA
		x8	198	203	208	
I _{CPP7}	I _{CPP7} = I _{PP7} + I _{PP3N}	x4	19	20	21	mA
		x8	18	18	18	
I _{CDD8}	I _{CDD8} = I _{DD8} + I _{DD8}	x4, x8	50	50	50	mA

- Notes:
1. I_{CDD} values reflect the combined current of both individual die. I_{DDx} represents individual die values.
 2. I_{CDD6R}, I_{CDD6A}, and I_{CDD6E} values are verified by design and characterization, and may not be subject to production test.
 3. I_{CDD} values must be derated (increased) when operated outside of the range 0°C ≤ T_C ≤ 85°C. They must also be derated when using features such as CAL, CA Parity, Read/Write DBI, AL, Gear-down, Write CRC, 2X/4X REF, and DLL disabled. Refer to the 8Gb monolithic data sheet for all derating values. Derating values apply to each individual I_{DDx} that make up the combined I_{CDD}



16Gb: x4, x8 TwinDie DDR4 SDRAM Electrical Specifications – I_{CDD} Parameters

Table 15: DDR4 I_{CDD} Specifications and Conditions - Rev. J (0° ≤ T_C ≤ 85°C)

Note 1 applies to the entire table

Combined Symbol	Individual Die Status	Bus Width	DDR4-2133	DDR4-2400	DDR4-2666	Units
I _{CDD0}	I _{CDD0} = I _{DD0} + I _{DD2P}	x4	57	59	61	mA
		x8	59	61	63	
I _{CPP0}	I _{CPP0} = I _{PP0} + I _{PP3N}	x4, x8	6	6	6	mA
I _{CDD1}	I _{CDD1} = I _{DD1} + I _{DD2P}	x4	70	72	73	mA
		x8	74	76	78	
I _{CDD2N}	I _{CDD2N} = I _{DD2N} + I _{DD2P}	x4, x8	50	51	52	mA
I _{CDD2NT}	I _{CDD2NT} = I _{DD2NT} + I _{DD2P}	x4, x8	56	58	60	mA
I _{CDD2P}	I _{CDD2P} = I _{DD2P} + I _{DD2P}	x4, x8	44	44	44	mA
I _{CDD2Q}	I _{CDD2Q} = I _{DD2Q} + I _{DD2P}	x4, x8	48	48	48	mA
I _{CDD3N}	I _{CDD3N} = I _{DD3N} + I _{DD2P}	x4	56	58	60	mA
		x8	57	59	61	
I _{CPP3N}	I _{CPP3N} = I _{PP3N} + I _{PP3N}	x4, x8	6	6	6	mA
I _{CDD3P}	I _{CDD3P} = I _{DD3P} + I _{DD2P}	x4	50	51	52	mA
		x8	51	52	53	
I _{CDD4R}	I _{CDD4R} = I _{DD4R} + I _{DD2P}	x4	127	136	147	mA
		x8	150	160	170	
I _{CDD4W}	I _{CDD4W} = I _{DD4W} + I _{DD2P}	x4	113	122	130	mA
		x8	130	138	147	
I _{CDD5R}	I _{CDD5R} = I _{DD5R} + I _{DD2P}	x4, x8	66	67	67	mA
I _{CPP5R}	I _{CPP5R} = I _{PP5R} + I _{PP3N}	x4, x8	8	8	8	mA
I _{CDD6N}	I _{CDD6N} = I _{DD6N} + I _{DD6N}	x4, x8	64	64	64	mA
I _{CDD6E}	I _{CDD6E} = I _{DD6E} + I _{DD6E}	x4, x8	110	110	110	mA
I _{CDD6R} ²	I _{CDD6R} = I _{DD6R} + I _{DD6R}	x4, x8	40	40	40	mA
I _{CDD6A} (25°C) ²	I _{CDD6A} = I _{DD6A} + I _{DD6A}	x4, x8	16.4	16.4	16.4	mA
I _{CDD6A} (45°C) ²	I _{CDD6A} = I _{DD6A} + I _{DD6A}	x4, x8	40	40	40	mA



Table 15: DDR4 I_{CDD} Specifications and Conditions - Rev. J (0° ≤ T_C ≤ 85°C) (Continued)

Note 1 applies to the entire table

Combined Symbol	Individual Die Status	Bus Width	DDR4-2133	DDR4-2400	DDR4-2666	Units
I _{CDD6A} (75°C) ²	I _{CDD6A} = I _{DD6A} + I _{DD6A}	x4, x8	60	60	60	mA
I _{CDD6A} (95°C) ²	I _{CDD6A} = I _{DD6A} + I _{DD6A}	x4, x8	110	110	110	mA
I _{CDD7}	I _{CDD7} = I _{DD7} + I _{DD2P}	x4	188	198	212	mA
		x8	183	188	193	
I _{CPP7}	I _{CPP7} = I _{PP7} + I _{PP3N}	x4	14	14	14	mA
		x8	13	13	13	
I _{CDD8}	I _{CDD8} = I _{DD8} + I _{DD8}	x4, x8	36	36	36	mA

- Notes:
1. I_{CDD} values reflect the combined current of both individual die. I_{DDx} represents individual die values.
 2. I_{CDD6R}, I_{CDD6A}, and I_{CDD6E} values are verified by design and characterization, and may not be subject to production test.
 3. I_{CDD} values must be derated (increased) when operated outside of the range 0°C ≤ T_C ≤ 85°C. They must also be derated when using features such as CAL, CA Parity, Read/Write DBI, AL, Gear-down, Write CRC, 2X/4X REF, and DLL disabled. Refer to the 8Gb monolithic data sheet for all derating values. Derating values apply to each individual I_{DDx} that make up the combined I_{CDD}

DRAM Package Electrical Specifications

Table 16: DRAM Package Electrical Specifications for x4, x8, and x16 DDP Devices

Notes 1-2 apply to the entire table

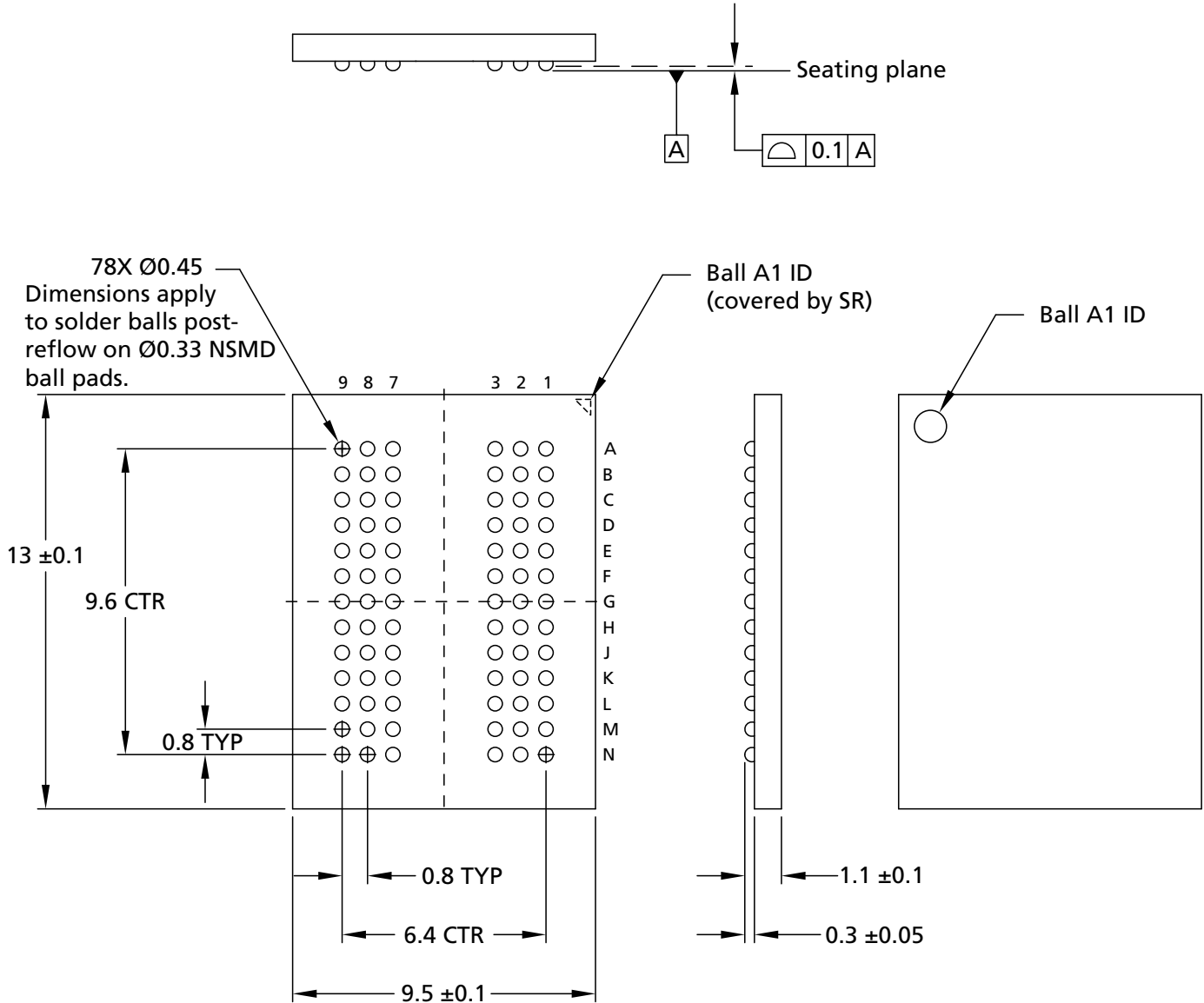
Parameter		Symbol	DDR4-1600, 1866, 2133, 2400, 2666, 2933, 3200		Unit	Notes
			Min	Max		
Input/output	Zpkg	Z_{IO}	35	60	ohm	3
	Package delay	Td_{IO}	60	120	ps	3
	Lpkg	L_{IO}	–	5.5	nH	
	Cpkg	C_{IO}	–	4	pF	
DQSL_t/DQSL_c/ DQSU_t/DQSU_c	Zpkg	$Z_{IO\ DQS}$	35	60	ohm	
	Package delay	$Td_{IO\ DQS}$	60	120	ps	
	Lpkg	$L_{IO\ DQS}$	–	5.5	nH	
	Cpkg	$C_{IO\ DQS}$	–	4	pF	
DQSL_t/DQSL_c, DQSU_t/DQSU_c	Delta Zpkg	$DZ_{IO\ DQS}$	–	5	ohm	4
	Delta delay	$DTd_{IO\ DQS}$	–	5	ps	4
Input CTRL pins	Zpkg	$Z_{I\ CTRL}$	30	70	ohm	5
	Package delay	$Td_{I\ CTRL}$	60	120	ps	5
	Lpkg	$L_{I\ CTRL}$	–	7.5	nH	
	Cpkg	$C_{I\ CTRL}$	–	4	pF	
Input CMD ADD pins	Zpkg	$Z_{I\ ADD\ CMD}$	30	60	ohm	6
	Package delay	$Td_{I\ ADD\ CMD}$	60	120	ps	6
	Lpkg	$L_{I\ ADD\ CMD}$	–	7.5	nH	
	Cpkg	$C_{I\ ADD\ CMD}$	–	4	pF	
CK_t, CK_c	Zpkg	Z_{CK}	30	60	ohm	
	Package delay	Td_{CK}	60	120	ps	
	Delta Zpkg	DZ_{DCK}	–	5	ohm	7
	Delta delay	DTd_{DCK}	–	5	ps	7
Input CLK	Lpkg	$L_{I\ CLK}$	–	7.5	nH	
	Cpkg	$C_{I\ CLK}$	–	4	pF	
ZQ Zpkg		$Z_{O\ ZQ}$	–	50	ohm	
ZQ delay		$Td_{O\ ZQ}$	30	135	ps	
ALERT Zpkg		$Z_{O\ ALERT}$	30	60	ohm	
ALERT delay		$Td_{O\ ALERT}$	60	110	ps	

- Notes:
1. The values in this table are guaranteed by design/simulation only, and are not subject to production testing.
 2. Package implementations should satisfy targets if the Zpkg and package delay fall within the ranges shown, and the maximum Lpkg and Cpkg do not exceed the maximum values shown. The package design targets are provided for reference, system signal simulations should not use these values but use the Micron package model.
 3. Z_{IO} and Td_{IO} apply to DQ, DM, DQS_c, DQS_t, TDQS_t, and TDQS_c.

4. Absolute value of Z_{IO} (DQS_t), Z_{IO} (DQS_c) for impedance (Z) or absolute value of Td_{IO} (DQS_t), Td_{IO} (DQS_c) for delay (Td).
5. Z_{I_CTRL} and Td_{I_CTRL} apply to ODT, CS_n , and CKE.
6. $Z_{I_ADD_CMD}$ and $Td_{I_ADD_CMD}$ apply to $A[17:0]$, $BA[1:0]$, $BG[1:0]$, RAS_n CAS_n , and WE_n .
7. Absolute value of Z_{CK_t} , Z_{CK_c} for impedance (Z) or absolute value of Td_{CK_t} , Td_{CK_c} for delay (Td).

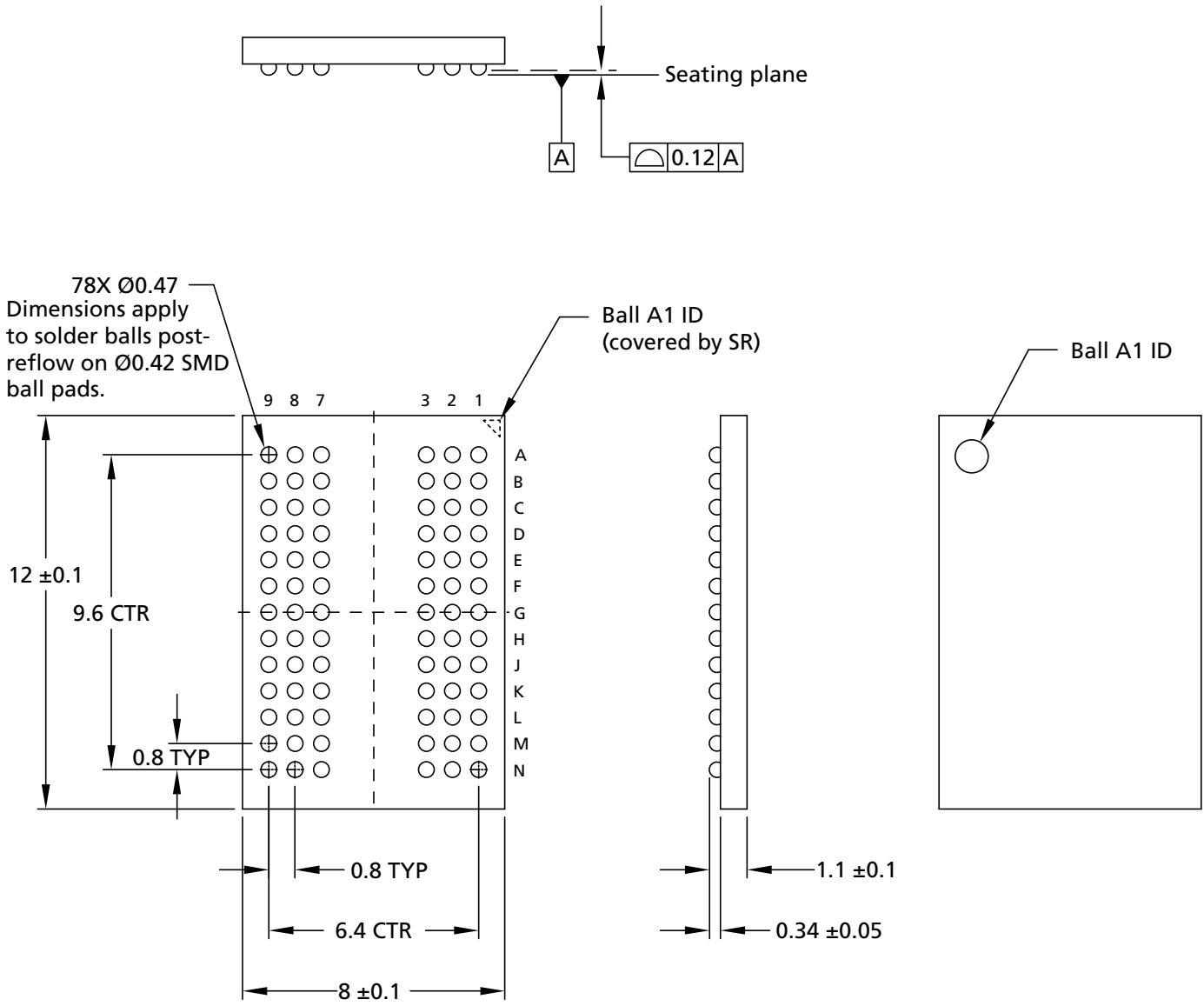
Package Dimensions

Figure 7: 78-Ball FBGA Die Rev. A (package code FSE)



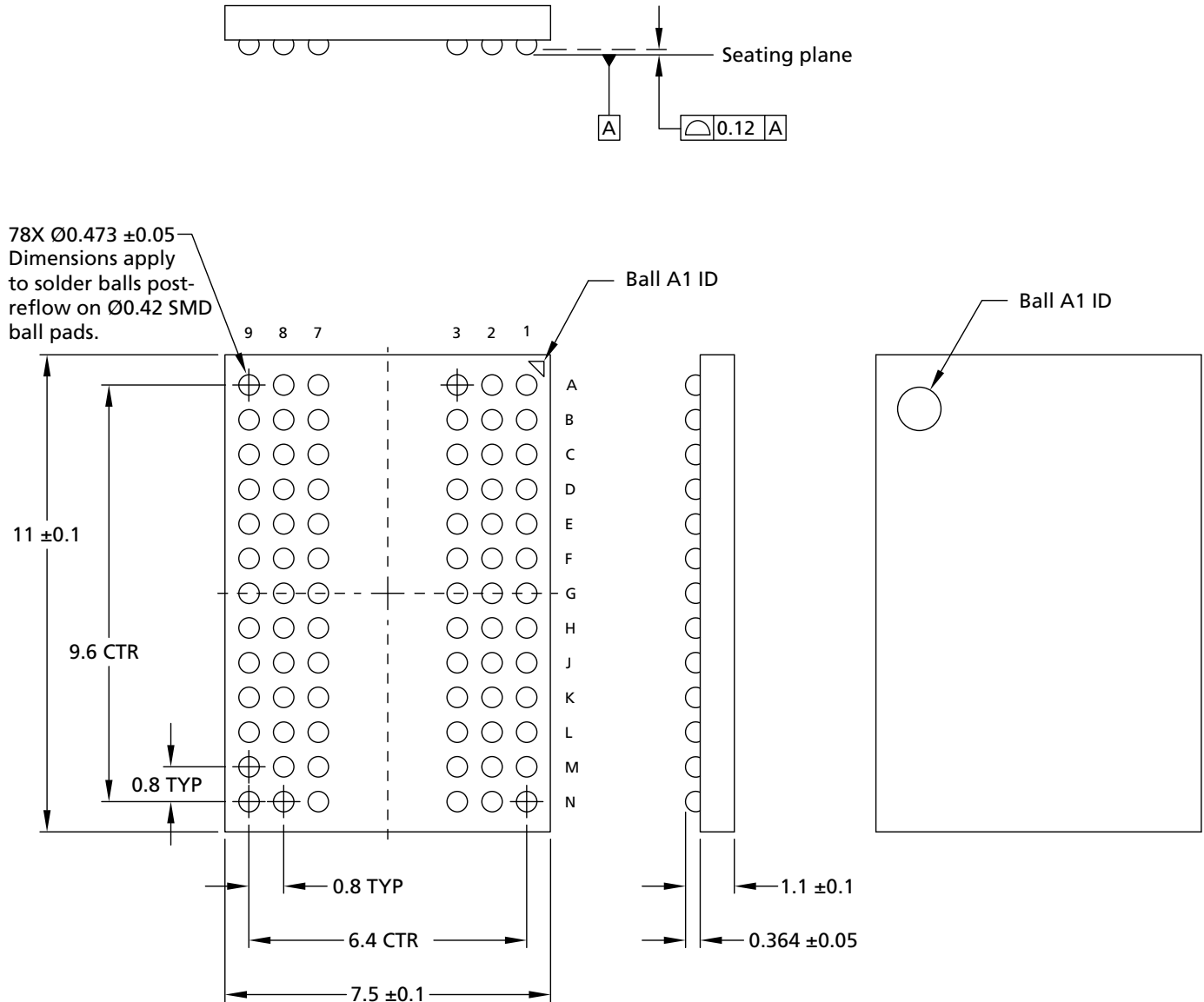
- Notes: 1. All dimensions are in millimeters.
2. Solder ball material: SAC302 (96.8% Sn, 3% Ag, 0.2% Cu).

Figure 8: 78-Ball FBGA Die Rev. B/Die Rev. D (package code NRE)



- Notes: 1. All dimensions are in millimeters.
2. Solder ball material: SAC302 (96.8% Sn, 3% Ag, 0.2% Cu).

Figure 9: 78-Ball FBGA Die Rev. J (package code NEA)



- Notes: 1. All dimensions are in millimeters.
2. Solder ball material: SAC305 (96.5% Sn, 3% Ag, 0.5% Cu).

8000 S. Federal Way, P.O. Box 6, Boise, ID 83707-0006, Tel: 208-368-4000

www.micron.com/products/support Sales inquiries: 800-932-4992

Micron and the Micron logo are trademarks of Micron Technology, Inc. TwinDie is a trademark of Micron Technology, Inc.

All other trademarks are the property of their respective owners.

This data sheet contains minimum and maximum limits specified over the power supply and temperature range set forth herein. Although considered final, these specifications are subject to change, as further product development and data characterization sometimes occur.